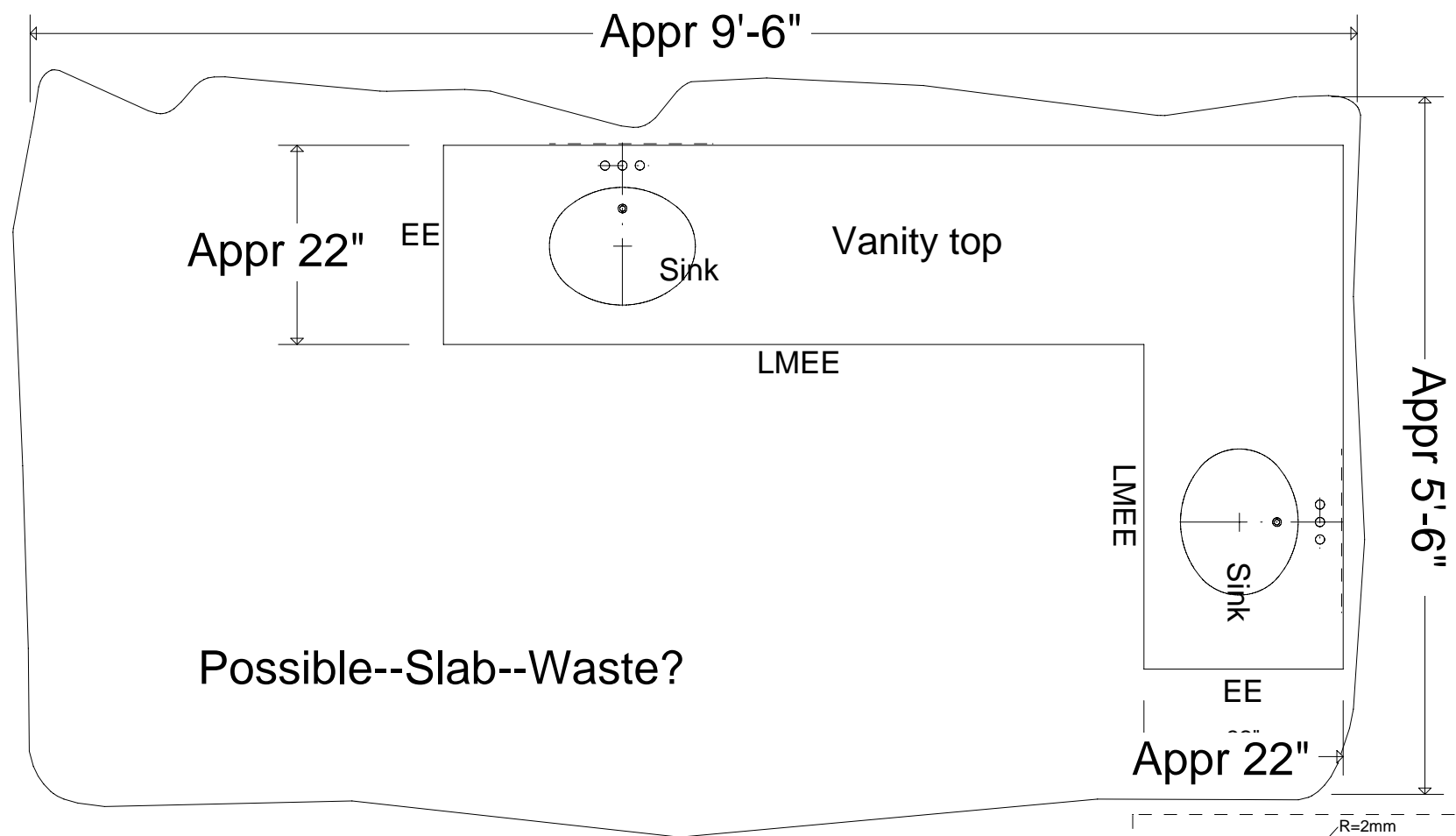
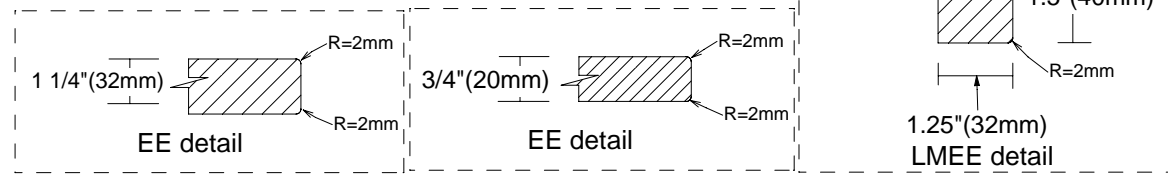


Legend

	SC Vanity Sink Cut-out (Undermount)
	FH Faucet Holes
	TC Toilet Tissue Cut Out
	FS Facial Slot Cut-out
	KC Kitchen Sink Cut-out
	RC Rough Cut No Chamfered
	CE Rough Cut & Chamfered Edge
	EE Eased & Polished Edge
	BV Beveled Edge
	FB Full Bull Nose
	HB Half Bull nose
	1/4R 1/4R Rounded Edge
	DP Drip Less Edge
	OG Ogee Edge
	LM-FB Laminated Full Bull Nose Edge
	LM-OG Laminated Ogee Edge
	LM-EE Laminated Eased & Polished Edge
	LM-BV Laminated Beveled Edge



Choice Thickness



DWG#	1
------	---

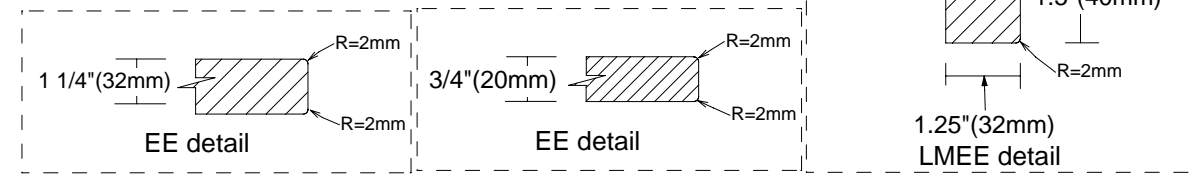
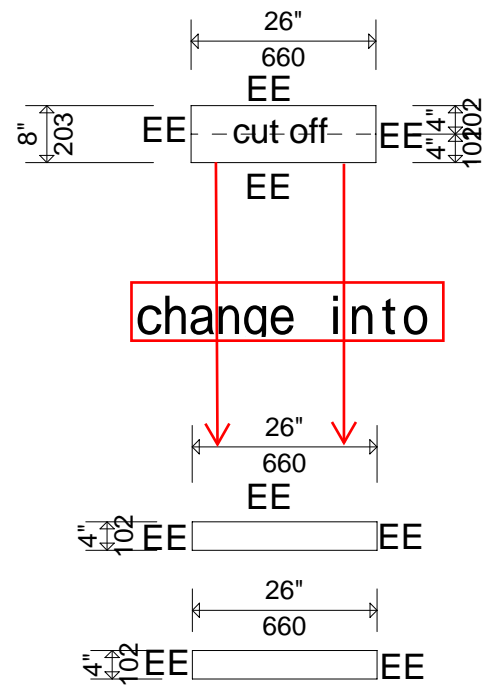
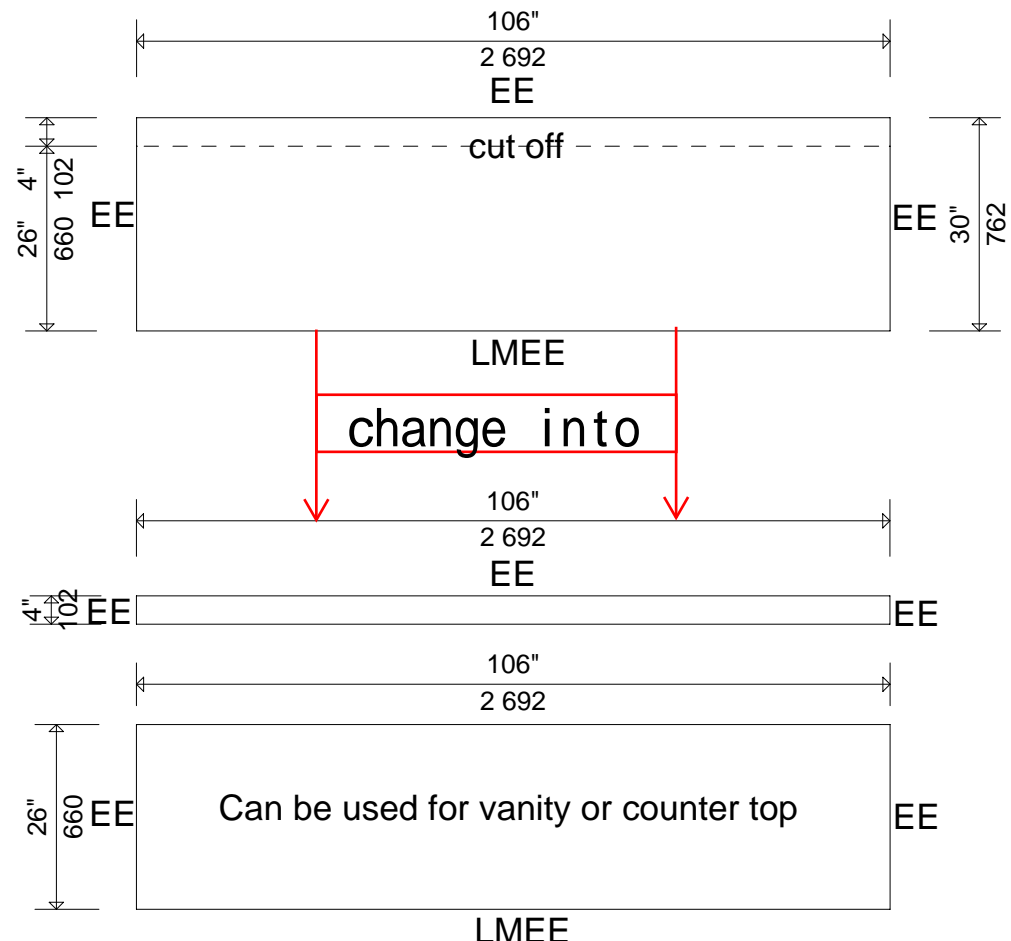
Granite Shop Drawing	
Notes	Custom available
SCALE	NOT TO SCALE

Item	Stype	Add On	L	W	TK	Color	QTY	Project
Notes: Back splansh can be cut from 26" pieces.								

Client	Approved By	
Rococo	Contractor	Subcontractor
Rev. Date	Drafter	
Sep.30.2010		

Legend

	SC Vanity Sink Cut-out (Undermount)
	FH Faucet Holes
	TC Toilet Tissue Cut Out
	FS Facial Slot Cut-out
	KC Kitchen Sink Cut-out
	RC Rough Cut No Chamfered
	CE Rough Cut & Chamfered Edge
	EE Eased & Polished Edge
	BV Beveled Edge
	FB Full Bull Nose
	HB Half Bull nose
	1/4R 1/4R Rounded Edge
	DP Drip Less Edge
	OG Ogee Edge
	LM-FB Laminated Full Bull Nose Edge
	LM-OG Laminated Ogee Edge
	LM-EE Laminated Eased & Polished Edge
	LM-BV Laminated Beveled Edge

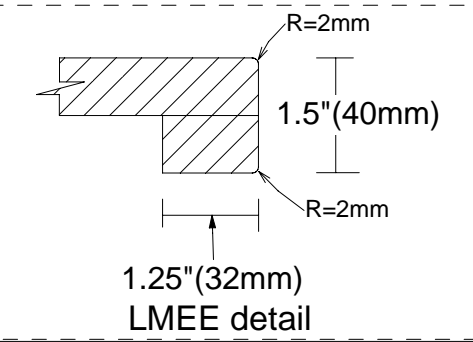
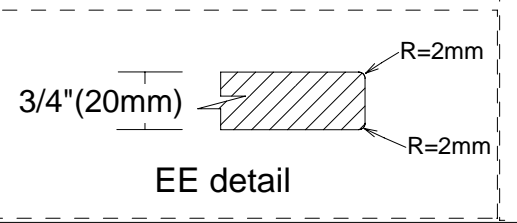
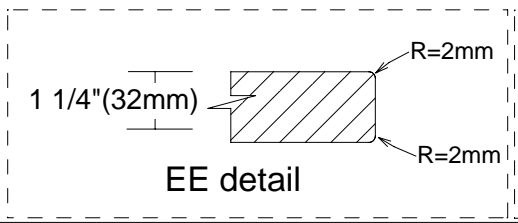
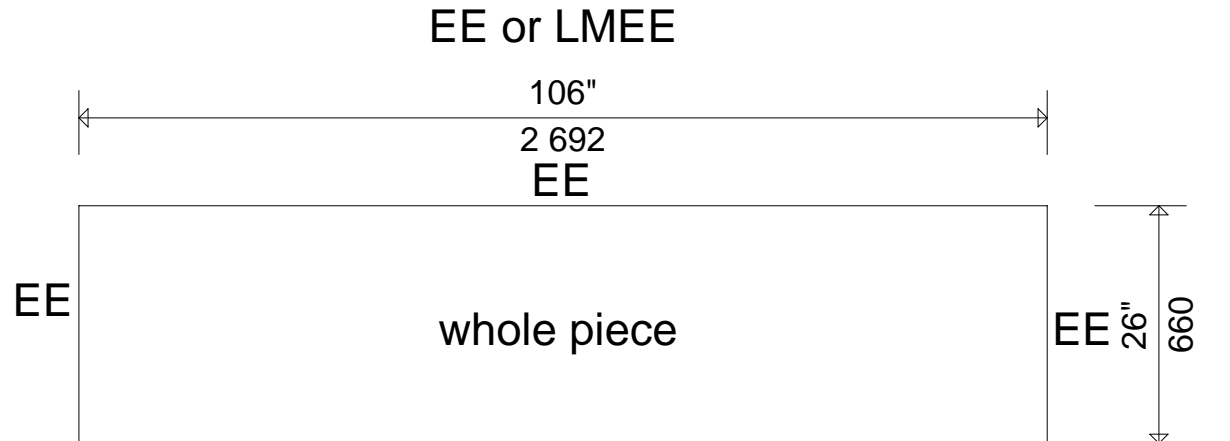
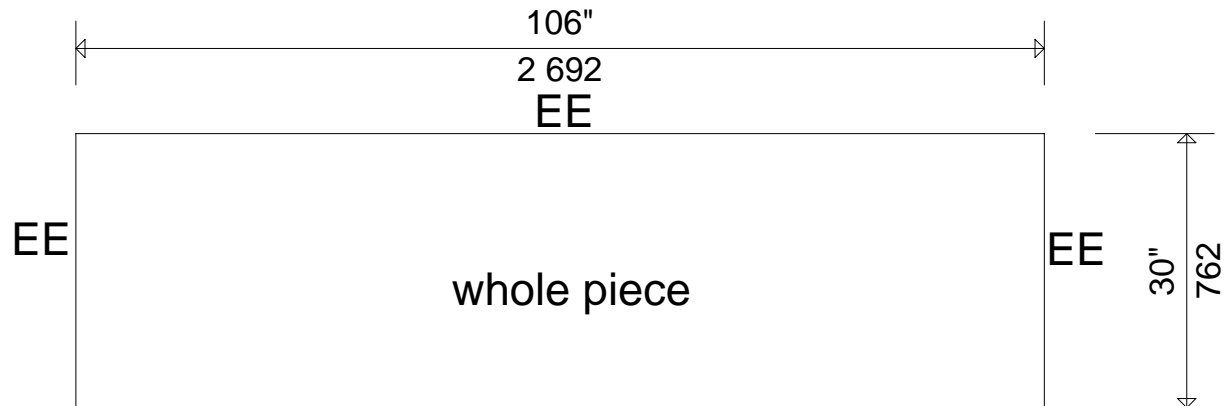


Granite Shop Drawing	Item	Stype	Add On	L	W	TK	Color	QTY	Project
	Notes								
	Top								
	SCALE								
DWG#	2								
NOT TO SCALE									

Client	Approved By	
Rococo	Contractor	Subcontractor
Rev. Date	Drafter	
Sep.29.2010		

Legend

	SC Vanity Sink Cut-out (Undermount)
	FH Faucet Holes
	TC Toilet Tissue Cut Out
	FS Facial Slot Cut-out
	KC Kitchen Sink Cut-out
	RC Rough Cut No Chamfered
	CE Rough Cut & Chamfered Edge
	EE Eased & Polished Edge
	BV Beveled Edge
	FB Full Bull Nose
	HB Half Bull nose
	1/4R 1/4R Rounded Edge
	DP Drip Less Edge
	OG Ogee Edge
	LM-FB Laminated Full Bull Nose Edge
	LM-OG Laminated Ogee Edge
	LM-EE Laminated Eased & Polished Edge
	LM-BV Laminated Beveled Edge



<p>Granite Shop Drawing</p> <p>Notes</p> <p style="text-align: center;">Top</p> <p>SCALE</p> <p>DWG# 3</p> <p>NOT TO SCALE</p>	Item	Stype	Add On	L	W	TK	Color	QTY	Project			
										Client	Approved By	
										Rococo	Contractor	Subcontractor
										Rev. Date	Drafter	
									Sep.29.2010			